

## KH40-PP

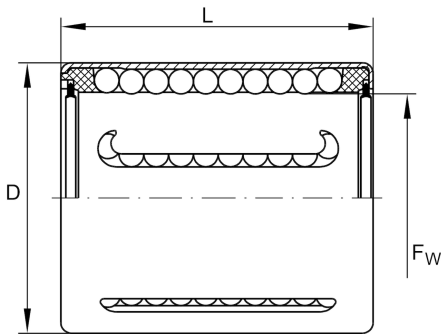
### Linear ball bearing

Schaeffler ID:  
0001845600000

Linear ball bearings with initial greasing,  
sealed on both sides, with relubrication  
facility

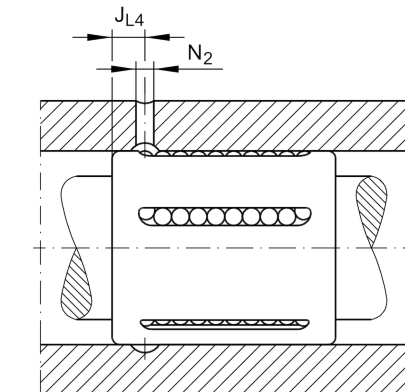
## Technical information

### Main Dimensions & Performance Data



$F_w$	40 mm	Diameter shaft
D	52 mm	Outer diameter
L	60 mm	Länge
$C_{min}$	5,300 N	load capacity dyn.
$C_{0min}$	4,450 N	load capacity stat.
$C_{max}$	5,300 N	load capacity dyn.
$C_{0max}$	4,950 N	load capacity stat.
	0.19 kg	Weight

### Mounting dimensions



$J_{L4}$	9 mm
$N_2$	2.5 mm