

KH25-PP

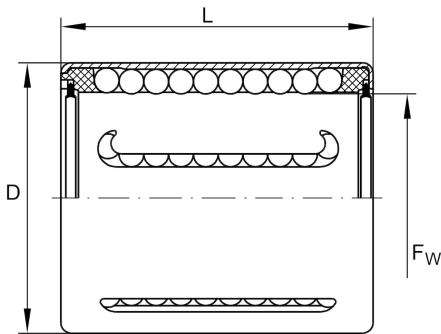
Linear ball bearing

Schaeffler ID:
0017207750000

Linear ball bearings with initial greasing,
sealed on both sides, with relubrication
facility

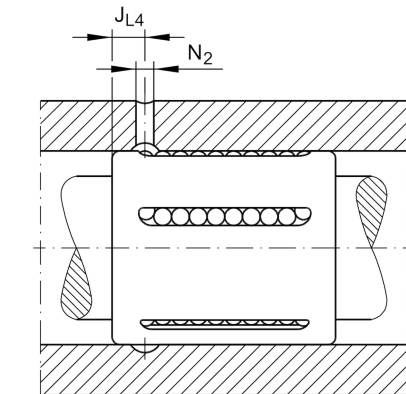
Technical information

Main Dimensions & Performance Data



F_w	25 mm	Diameter shaft
D	35 mm	Outer diameter
L	40 mm	Länge
C_{min}	2,280 N	load capacity dyn.
C_{0min}	1,670 N	load capacity stat.
C_{max}	2,420 N	load capacity dyn.
C_{0max}	2,130 N	load capacity stat.
	65.6 g	Weight

Mounting dimensions



J_{L4}	8 mm
N_2	2.5 mm