

KH12-PP

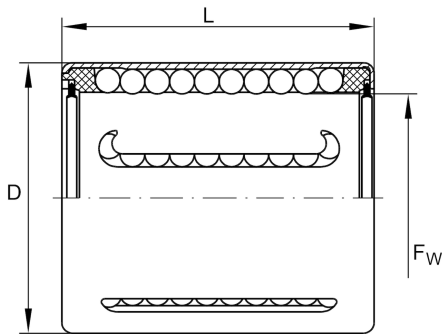
Linear ball bearing

Schaeffler ID:
0000329210000

Linear ball bearings with initial greasing,
sealed on both sides, with relubrication
facility

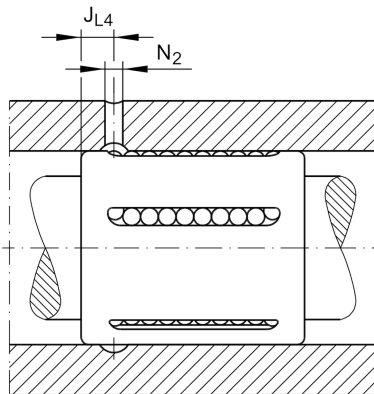
Technical information

Main Dimensions & Performance Data



F_w	12 mm	Diameter shaft
D	19 mm	Outer diameter
L	28 mm	Länge
C_{min}	670 N	load capacity dyn.
C_{0min}	510 N	load capacity stat.
C_{max}	800 N	load capacity dyn.
C_{0max}	740 N	load capacity stat.
	18.85 g	Weight

Mounting dimensions



J_{L4}	6 mm
N_2	2.5 mm