

## KH10-PP

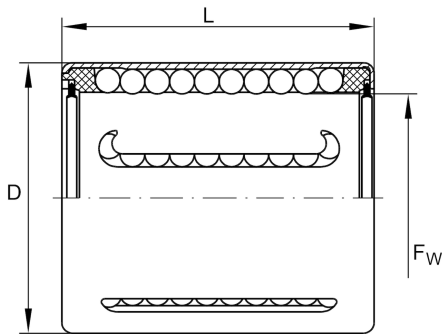
### Linear ball bearing

Schaeffler ID:  
0002016000000

Linear ball bearings with initial greasing,  
sealed on both sides, with relubrication  
facility

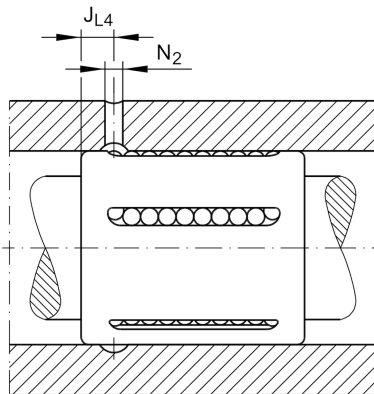
## Technical information

### Main Dimensions & Performance Data



$F_w$	10 mm	Diameter shaft
$D$	17 mm	Outer diameter
$L$	26 mm	Länge
$C_{min}$	510 N	load capacity dyn.
$C_{0min}$	370 N	load capacity stat.
$C_{max}$	590 N	load capacity dyn.
$C_{0max}$	520 N	load capacity stat.
	14.95 g	Weight

### Mounting dimensions



$J_{L4}$	6 mm
$N_2$	2.5 mm