



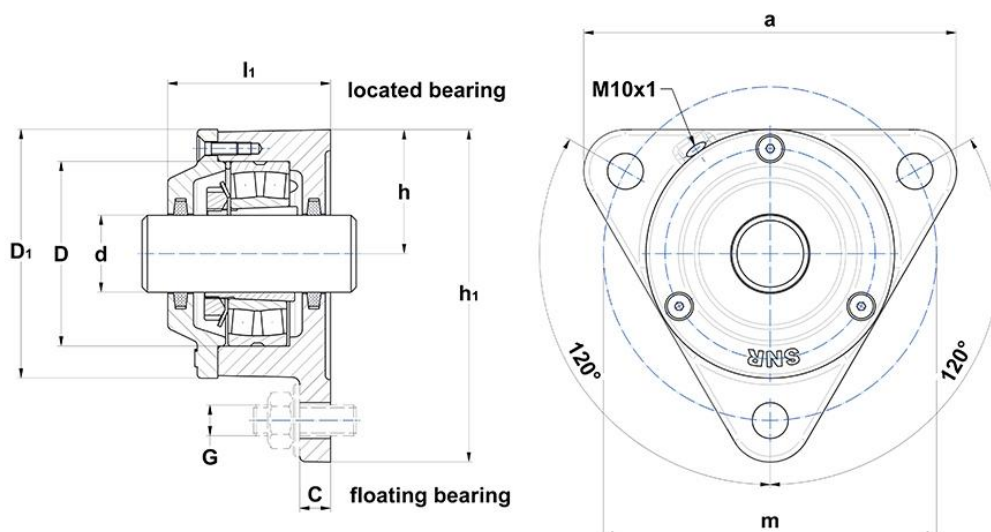
Technical data

722512 DB

Flanged housings 722500

Flanged housing for bearings on adapter sleeve, made of grey cast, for grease lubrication

VISUAL (S)



PRODUCT DEFINITION

Brand	SNR
d - Shaft diameter	55 mm
D1 - Outer diameter cover	142 mm
a - Housing length	210 mm
c - Housing foot height	12 mm
h - Bearing center height	72 mm
h1 - Housing height	189 mm
l1 - Housing width over covers	82 mm

PRODUCT DEFINITION

m - Mounting hole/punches distance (length)	180 mm
N - Mounting hole diameter	14 mm
D - Bearing seat diameter	110 mm
Mass	4.8 kg
Material of Housing	grey cast

BOLTS

G - Fixing bolts	M12
Recommended torque fixing bolts	65 N-m
Cover bolts	M6x20
Recommended torque cover bolts	7 N-m

ASSOCIATED COMPONENTS - GENERAL

Feltstrip	FS 8 x 6,5 x 225
------------------	------------------

ASSOCIATED COMPONENTS - OPTION 1

Bearing	1212 K C3
Adapter sleeve	H212
Fixing ring (x1)	FR110x8x3

ASSOCIATED COMPONENTS - OPTION 2

Bearing	2212 K C3
Adapter sleeve	H312
Fixing ring (x1)	FE110x90x2

ASSOCIATED COMPONENTS - OPTION 3

Bearing	22212 K
Adapter sleeve	H312

ASSOCIATED COMPONENTS - OPTION 3

Fixing ring (x1)

FE110x90x2