



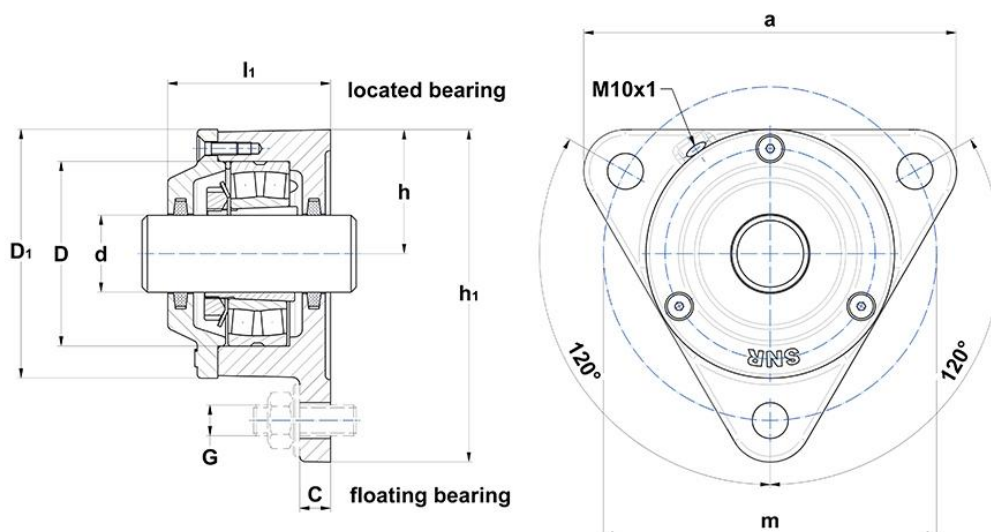
Technical data

722510 DB

Flanged housings 722500

Flanged housing for bearings on adapter sleeve, made of grey cast, for grease lubrication

VISUAL (S)



PRODUCT DEFINITION

Brand	SNR
d - Shaft diameter	45 mm
D1 - Outer diameter cover	118 mm
a - Housing length	180 mm
c - Housing foot height	12 mm
h - Bearing center height	60 mm
h1 - Housing height	160 mm
l1 - Housing width over covers	73 mm

PRODUCT DEFINITION

m - Mounting hole/punches distance (length)	160 mm
N - Mounting hole diameter	14 mm
D - Bearing seat diameter	90 mm
Mass	3 kg
Material of Housing	grey cast

BOLTS

G - Fixing bolts	M12
Recommended torque fixing bolts	65 N-m
Cover bolts	M6x20
Recommended torque cover bolts	7 N-m

ASSOCIATED COMPONENTS - GENERAL

Feltstrip	FS 6 x 5 x 180
------------------	----------------

ASSOCIATED COMPONENTS - OPTION 1

Bearing	1210 K C3
Adapter sleeve	H210
Fixing ring (x1)	FR90x5x3

ASSOCIATED COMPONENTS - OPTION 2

Bearing	2210 K C3
Adapter sleeve	H310
Fixing ring (x1)	FE90x80x2

ASSOCIATED COMPONENTS - OPTION 3

Bearing	22210 K
Adapter sleeve	H310

ASSOCIATED COMPONENTS - OPTION 3

Fixing ring (x1)	FE90x80x2
-------------------------	-----------