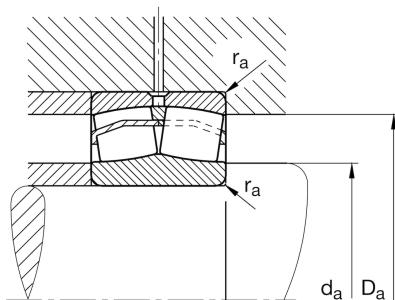
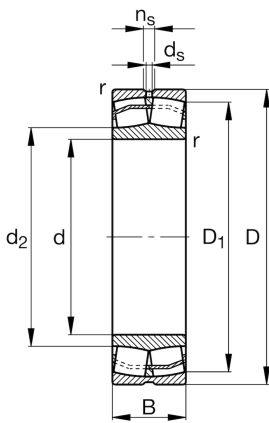
**21315-E1-XL**

Spherical roller bearing

Schaeffler ID:
0219389970000Spherical roller bearings 213..-E1, main
dimensions to DIN 635-2

Technical information

**Main Dimensions & Performance Data**

d	75 mm	Bore diameter
D	160 mm	Outside diameter
B	37 mm	Width
C_r	305,000 N	Basic dynamic load rating, radial
C_{0r}	325,000 N	Basic static load rating, radial
C_{ur}	39,000 N	Fatigue load limit, radial
n_G	5,700 1/min	Limiting speed
n_{gr}	3,750 1/min	Reference speed
	3.691 kg	Weight

Mounting dimensions

$d_{a \min}$	87 mm	Minimum diameter shaft shoulder
$D_{a \max}$	148 mm	Maximum diameter of housing shoulder
$r_{a \max}$	2.1 mm	Maximum recess radius

Dimensions

r_{\min}	2.1 mm	Minimum chamfer dimension
D_1	135.2 mm	Bore diameter outer ring
d_2	99.7 mm	Raceway diameter of the inner ring
d_s	3.2 mm	Diameter lubrication hole
n_s	6.5 mm	Width of lubricating groove

Temperature range

T_{\min}	-30 °C	Operating temperature min.
T_{\max}	200 °C	Operating temperature max.

Calculation factors

e	0.22	Limiting value of Fa/Fr for the applicability of diff. Values of factors X and Y
Y ₁	3.04	Dynamic axial load factor
Y ₂	4.53	Dynamic axial load factor
Y ₀	2.97	Static axial load factor