

KH50-PP

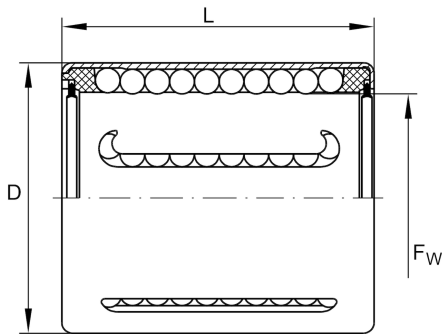
Linear ball bearing

Schaeffler ID:
0001939760000

Linear ball bearings with initial greasing,
sealed on both sides, with relubrication
facility

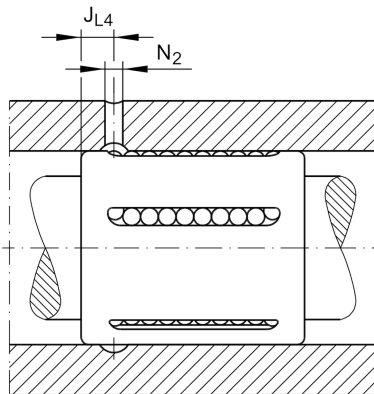
Technical information

Main Dimensions & Performance Data



| | | |
|-------------|---------|---------------------|
| F_w | 50 mm | Diameter shaft |
| D | 62 mm | Outer diameter |
| L | 70 mm | Länge |
| C_{min} | 6,800 N | load capacity dyn. |
| $C_{0 min}$ | 6,300 N | load capacity stat. |
| C_{max} | 6,800 N | load capacity dyn. |
| $C_{0 max}$ | 7,000 N | load capacity stat. |
| | 255 g | Weight |

Mounting dimensions



| | |
|----------|--------|
| J_{L4} | 9 mm |
| N_2 | 2.5 mm |