

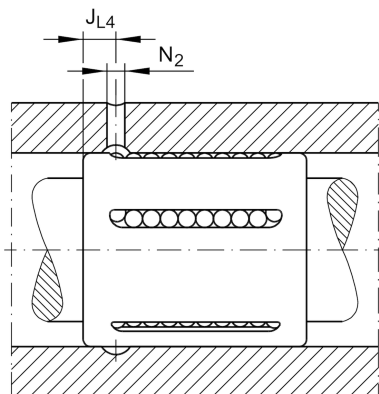
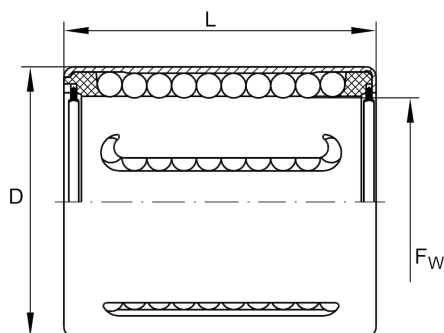
KH16-PP

Linear ball bearing

Schaeffler ID:
0000648070000

Linear ball bearings with initial greasing,
sealed on both sides, with relubrication
facility

Technical information



Main Dimensions & Performance Data

F_w	16 mm	Diameter shaft
D	24 mm	Outer diameter
L	30 mm	Länge
C_{min}	890 N	load capacity dyn.
C_{0min}	620 N	load capacity stat.
C_{max}	1,060 N	load capacity dyn.
C_{0max}	910 N	load capacity stat.
	27.275 g	Weight

Mounting dimensions

J_{L4}	7 mm
N_2	2.5 mm

Additional information

VMKB_065	KH	Material name
----------	----	---------------