

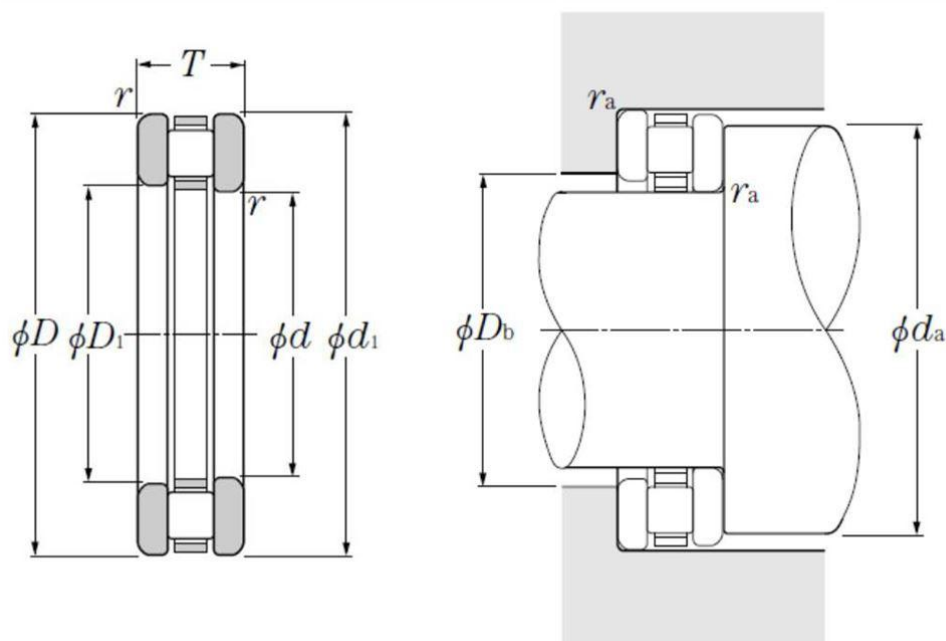
Technical data

81120T2

Complete thrust bearing

Needle roller bearing, thrust cylindrical roller bearing, 811 series

VISUAL (S)



PRODUCT DIMENSIONS

Bore diameter of support washer IR - WS (d)	100.0 mm
Outside diameter of support washer OR - GS (D)	135.0 mm
External diameter of support washer IR - WS (d1)	135.0 mm
Bore diameter bearing washer OR - GS (D1)	102.0 mm
Thrust bearing height (T)	25.0 mm
Roller cage bore diameter (Dc1)	100.0 mm
Roller cage outer diameter (Dc)	135.0 mm
Min fillet radius (rs)	1.0 mm

PRODUCT DIMENSIONS

Cage assembly reference	K81120T2
Bearing ring (inner ring) WS	WS81120
Bearing ring (outer ring) GS	GS81120
Rollers reference outer diameter (Ea)	128.7 mm
Rollers reference inner diameter (Eb)	105.1 mm
Mass	1.0 kg
Cage assembly mass	0.3 kg
Bearing ring (inner ring) WS mass	0.35 kg
Bearing ring (outer ring) GS mass	0.35 kg
Brand	NTN

PRODUCT PERFORMANCE

Dynamic axial load rating (Ca)	158.0 kN
Static axial load rating (C0a)	555.0 kN
Limit axial load rating (Cua)	65.0 kN
Nlim (grease)	500.0 tr/min
Nlim (oil)	2000.0 tr/min
Min operating temperature (Tmin)	-20.0 °C
Max operating temperature (Tmax)	120.0 °C
Characteristic cage frequency, FTF	0.5 Hz
Characteristic rolling element frequency, BSF	10.627 Hz
Characteristic outer ring frequency, BPF0	11.5 Hz
Characteristic inner ring frequency, BRF0	11.5 Hz

ABUTMENT

81120T2

Complete thrust bearing

ABUTMENT

Min shoulder diameter IR (da min)	128.0 mm
Max OR shoulder diameter (Db max)	106.0 mm
Max shaft & housing fillet radius (ras max)	1.0 mm