

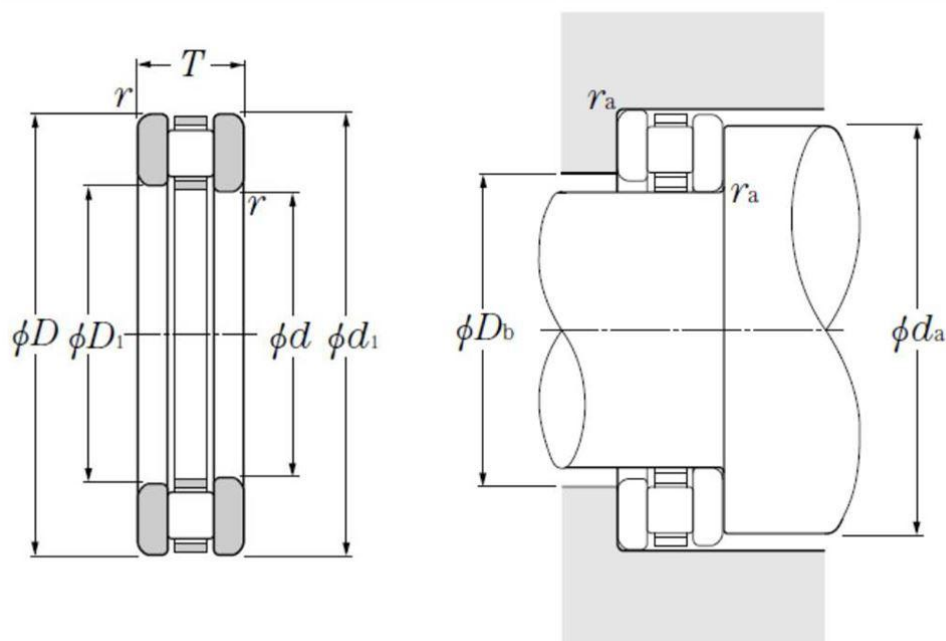
Technical data

81117T2

Complete thrust bearing

Needle roller bearing, thrust cylindrical roller bearing, 811 series

VISUAL (S)



PRODUCT DIMENSIONS

Bore diameter of support washer IR - WS (d)	85.0 mm
Outside diameter of support washer OR - GS (D)	110.0 mm
External diameter of support washer IR - WS (d1)	110.0 mm
Bore diameter bearing washer OR - GS (D1)	87.0 mm
Thrust bearing height (T)	19.0 mm
Roller cage bore diameter (Dc1)	85.0 mm
Roller cage outer diameter (Dc)	110.0 mm
Min fillet radius (rs)	1.0 mm

PRODUCT DIMENSIONS

Cage assembly reference	K81117T2
Bearing ring (inner ring) WS	WS81117
Bearing ring (outer ring) GS	GS81117
Rollers reference outer diameter (Ea)	105.3 mm
Rollers reference inner diameter (Eb)	88.7 mm
Mass	0.475 kg
Cage assembly mass	0.125 kg
Bearing ring (inner ring) WS mass	0.175 kg
Bearing ring (outer ring) GS mass	0.175 kg
Brand	NTN

PRODUCT PERFORMANCE

Dynamic axial load rating (Ca)	83.0 kN
Static axial load rating (C0a)	300.0 kN
Limit axial load rating (Cua)	36.5 kN
Nlim (grease)	630.0 tr/min
Nlim (oil)	2500.0 tr/min
Min operating temperature (Tmin)	-20.0 °C
Max operating temperature (Tmax)	120.0 °C
Characteristic cage frequency, FTF	0.5 Hz
Characteristic rolling element frequency, BSF	12.933 Hz
Characteristic outer ring frequency, BPF0	14.0 Hz
Characteristic inner ring frequency, BPGI	14.0 Hz

ABUTMENT

81117T2

Complete thrust bearing

ABUTMENT

Min shoulder diameter IR (da min)	105.0 mm
Max OR shoulder diameter (Db max)	89.0 mm
Max shaft & housing fillet radius (ras max)	1.0 mm