



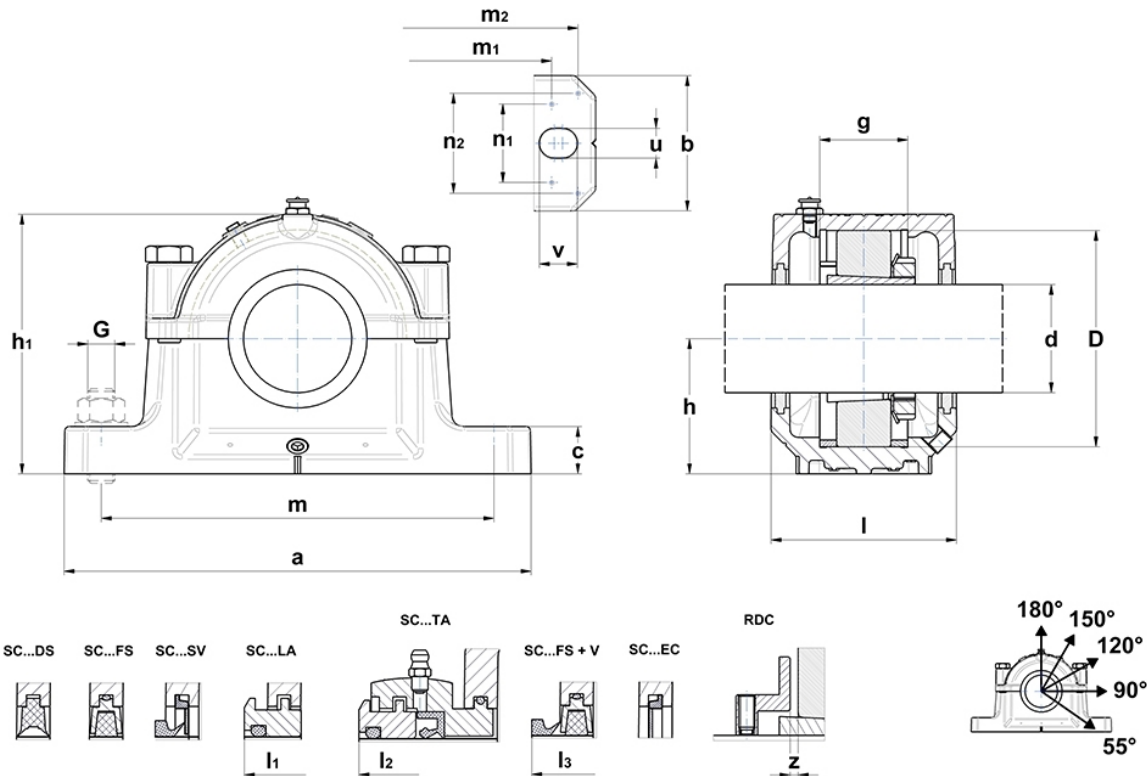
Technical data

SNC518

Split plummer block housings SNC (D)

split plummer block for bearings on adapter sleeve, made of grey cast, for grease lubrication

Visual(s)



Related products (to order separately):

Housing	Bearing	Adapter sleeve	Fixing ring (x2)	Regulation disc
032	1218K	H 218	FR160x17,5x6	RDC518
	2218K	H 318	FR160x12,5x5	
	22218K	H 318	FR160x12,5x5	
	23218K	H 2318	FR160x6,25x4	

Product definition

d	80 mm
a	345 mm
b	100 mm
c	35 mm
g	65 mm
h	100 mm
h1	192 mm
l	140 mm
l1	155 mm
l2	221 mm
l3	167
m	290 mm
m1	280 mm
m3	227 mm
n1	58 mm
m2	319 mm
n2	74 mm
diameter dowel pins	6 mm
u	22 mm
v	28 mm
D	160 mm
z	3 mm
housing weight	13.5 kg
Material of Housing	grey cast
initial grease quantity	650 Volume_cmc
Brand	SNR

Sealings and cover

sealing DS	SC 518 DS
sealing LA	SC 518 LA
sealing SV	SC 518 SV
sealing TA	SC 518 TA
sealing FS	SC 518 FS
end cover EC	SC518-615EC
V-ring option	V80A

Screws

fixing bolts G	M20
recommended torque	290 Nm
Connection bolts	M20x90
recommended torque	290 Nm
maximum loads 120°	260 kN
maximum loads 150°	150 kN
maximum loads 180°	130 kN

Breaking loads

P 0°	670 kN
P 55°	550 kN
P 90°	340 kN
P 120°	250 kN
P 150°	220 kN
P 180°	285 kN