



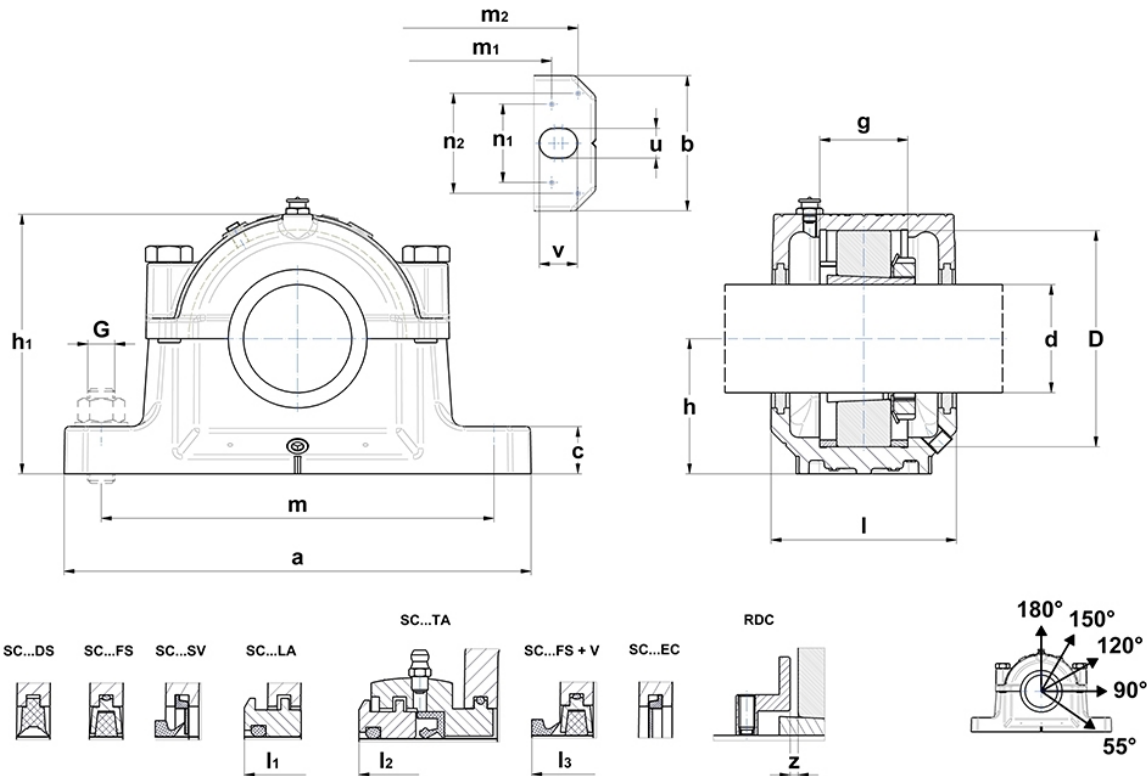
## Technical data

### SNC512

Split plummer block housings SNC (D)

split plummer block for bearings on adapter sleeve, made of grey cast, for grease lubrication

### Visual(s)



### Related products (to order separately):

Housing	Bearing	Adapter sleeve	Fixing ring (x2)	Regulation disc
<b>027</b>	1212K	H 212	FR110x13x5	RDC512
	2212K	H 312	FR110x10x4	
	22212K	H 312	FR110x10x4	

## Product definition

<b>d</b>	55 mm
<b>a</b>	255 mm
<b>b</b>	70 mm
<b>c</b>	30 mm
<b>g</b>	48 mm
<b>h</b>	70 mm
<b>h1</b>	133 mm
<b>l</b>	105 mm
<b>l1</b>	117 mm
<b>l2</b>	172 mm
<b>l3</b>	127
<b>m</b>	210 mm
<b>m1</b>	200 mm
<b>m3</b>	162 mm
<b>n1</b>	40 mm
<b>m2</b>	234 mm
<b>n2</b>	54 mm
<b>diameter dowel pins</b>	6 mm
<b>u</b>	18 mm
<b>v</b>	24 mm
<b>D</b>	110 mm
<b>z</b>	3 mm
<b>housing weight</b>	5.4 kg
<b>Material of Housing</b>	grey cast
<b>initial grease quantity</b>	210 Volume_cmc
<b>Brand</b>	SNR

## Sealings and cover

<b>sealing DS</b>	SC 512 DS
<b>sealing LA</b>	SC 512 LA
<b>sealing SV</b>	SC 512 SV
<b>sealing TA</b>	SC 512 TA
<b>sealing FS</b>	SC 512 FS
<b>end cover EC</b>	SC512-610EC
<b>V-ring option</b>	V55A

## Screws

<b>fixing bolts G</b>	M16
<b>recommended torque</b>	150 Nm
<b>Connection bolts</b>	M16x60
<b>recommended torque</b>	150 Nm
<b>maximum loads 120°</b>	180 kN
<b>maximum loads 150°</b>	100 kN
<b>maximum loads 180°</b>	90 kN

## Breaking loads

<b>P 0°</b>	355 kN
<b>P 55°</b>	300 kN
<b>P 90°</b>	180 kN
<b>P 120°</b>	132 kN
<b>P 150°</b>	125 kN
<b>P 180°</b>	160 kN