



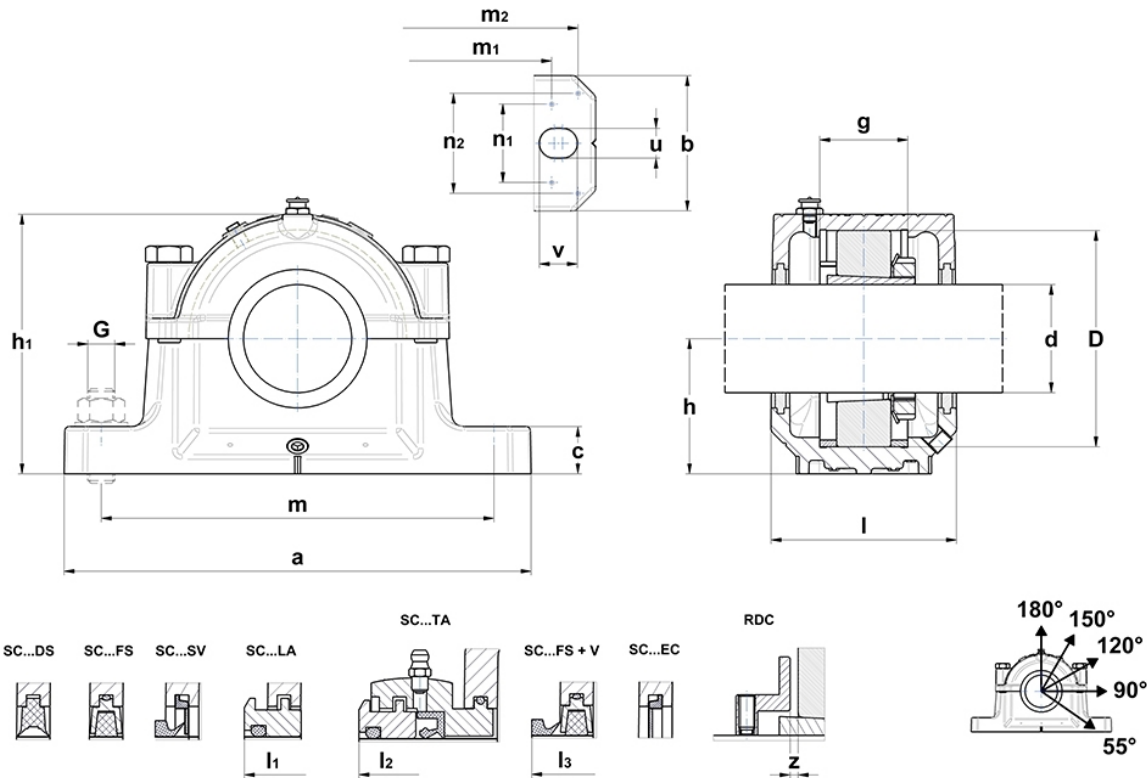
## Technical data

### SNC.517

Split plummer block housings SNC (D)

split plummer block for bearings on adapter sleeve, made of grey cast, for grease lubrication

### Visual(s)



### Related products (to order separately):

Housing	Bearing	Adapter sleeve	Fixing ring (x2)	Regulation disc
<b>031</b>	1217K	H 217	FR150x16,5x6	RDC517
	2217K	H 317	FR150x12,5x5	
	22217K	H 317	FR150x12,5x5	

## Product definition

<b>d</b>	75 mm
<b>a</b>	320 mm
<b>b</b>	90 mm
<b>c</b>	32 mm
<b>g</b>	61 mm
<b>h</b>	95 mm
<b>h1</b>	183 mm
<b>l</b>	125 mm
<b>l1</b>	140 mm
<b>l2</b>	205 mm
<b>l3</b>	152
<b>m</b>	260 mm
<b>m1</b>	252 mm
<b>m3</b>	210 mm
<b>n1</b>	52 mm
<b>m2</b>	292 mm
<b>n2</b>	66 mm
<b>diameter dowel pins</b>	6 mm
<b>u</b>	22 mm
<b>v</b>	28 mm
<b>D</b>	150 mm
<b>z</b>	3 mm
<b>housing weight</b>	10.2 kg
<b>Material of Housing</b>	grey cast
<b>initial grease quantity</b>	500 Volume_cmc
<b>Brand</b>	SNR

## Sealings and cover

<b>sealing DS</b>	SC 517 DS
<b>sealing LA</b>	SC 517 LA
<b>sealing SV</b>	SC 517 SV
<b>sealing TA</b>	SC 517 TA
<b>sealing FS</b>	SC 517 FS
<b>end cover EC</b>	SC517EC
<b>V-ring option</b>	V75A

## Screws

<b>fixing bolts G</b>	M20
<b>recommended torque</b>	290 Nm
<b>Connection bolts</b>	M16x80
<b>recommended torque</b>	150 Nm
<b>maximum loads 120°</b>	180 kN
<b>maximum loads 150°</b>	100 kN
<b>maximum loads 180°</b>	90 kN

## Breaking loads

<b>P 0°</b>	560 kN
<b>P 55°</b>	480 kN
<b>P 90°</b>	290 kN
<b>P 120°</b>	205 kN
<b>P 150°</b>	191 kN
<b>P 180°</b>	250 kN