

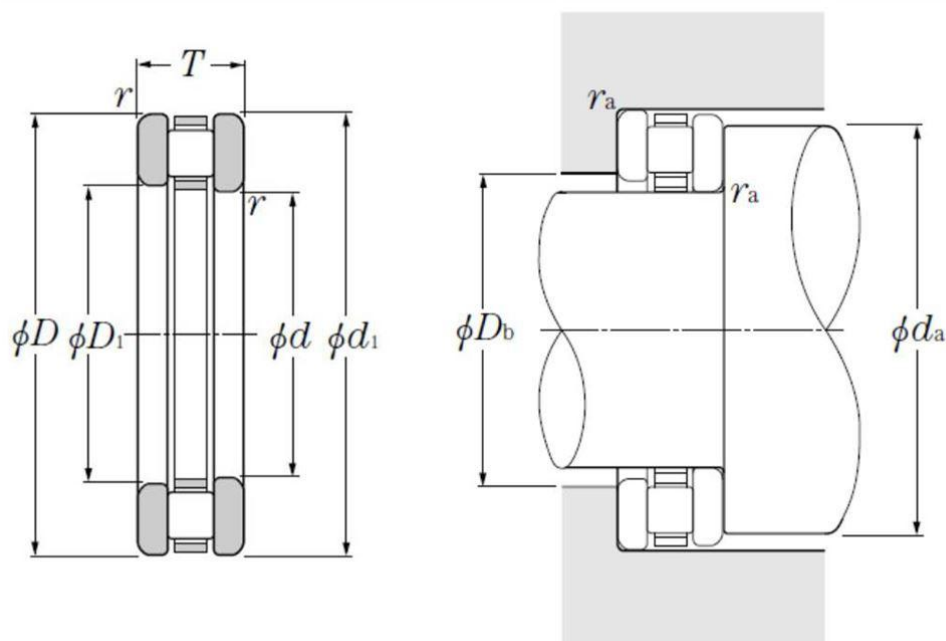
## Technical data

### 81212T2

Complete thrust bearing

Needle roller bearing, thrust cylindrical roller bearing, 812 series

#### VISUAL (S)



#### PRODUCT PERFORMANCE

Dynamic axial load rating (Ca)	126.0 kN
Static axial load rating (C0a)	365.0 kN
Limit axial load rating (Cua)	44.5 kN
Nlim (grease)	780.0 tr/min
Nlim (oil)	3100.0 tr/min
Min operating temperature (Tmin)	-20.0 °C
Max operating temperature (Tmax)	120.0 °C

#### PRODUCT DIMENSIONS

PRODUCT DIMENSIONS	
Bore diameter of support washer IR - WS (d)	60.0 mm
Outside diameter of support washer OR - GS (D)	95.0 mm
External diameter of support washer IR - WS (d1)	95.0 mm
Bore diameter bearing washer OR - GS (D1)	62.0 mm
Thrust bearing height (T)	26.0 mm
Roller cage bore diameter (Dc1)	60.0 mm
Roller cage outer diameter (Dc)	95.0 mm
Min fillet radius (rs)	1.0 mm
Cage assembly reference	K81212T2
Bearing ring (inner ring) WS	WS81212
Bearing ring (outer ring) GS	GS81212
Rollers reference outer diameter (Ea)	88.4 mm
Rollers reference inner diameter (Eb)	64.9 mm
Mass	0.66 kg
Cage assembly mass	0.2 kg
Bearing ring (inner ring) WS mass	0.23 kg
Bearing ring (outer ring) GS mass	0.23 kg
Brand	NTN

ABUTMENT	
Min shoulder diameter IR (da min)	88.0 mm
Max OR shoulder diameter (Db max)	66.0 mm
Max shaft & housing fillet radius (ras max)	1.0 mm