

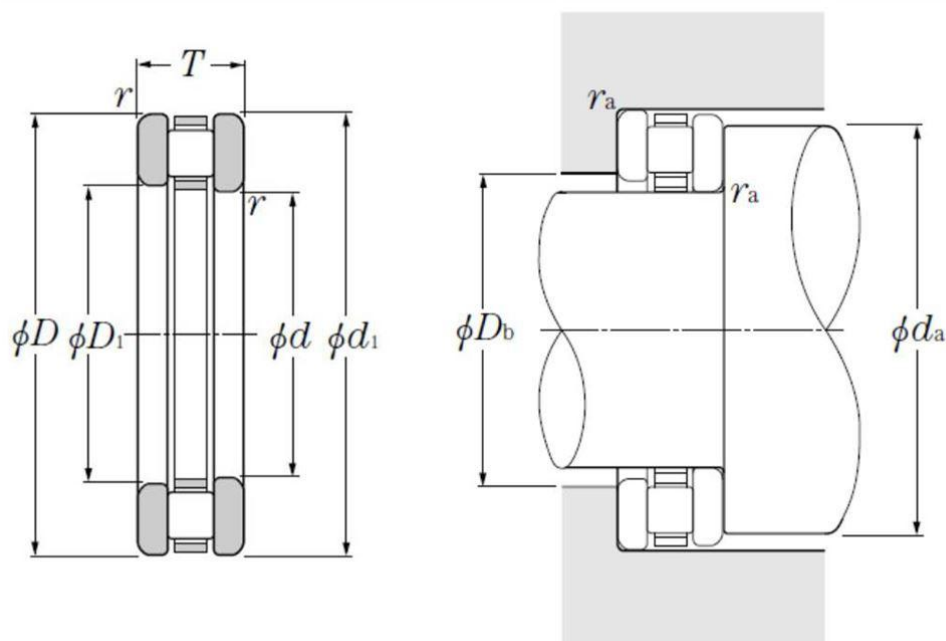
Technical data

81122T2

Complete thrust bearing

Needle roller bearing, thrust cylindrical roller bearing, 811 series

VISUAL (S)



PRODUCT DIMENSIONS

Bore diameter of support washer IR - WS (d)	110.0 mm
Outside diameter of support washer OR - GS (D)	145.0 mm
External diameter of support washer IR - WS (d1)	145.0 mm
Bore diameter bearing washer OR - GS (D1)	112.0 mm
Thrust bearing height (T)	25.0 mm
Roller cage bore diameter (Dc1)	110.0 mm
Roller cage outer diameter (Dc)	145.0 mm
Min fillet radius (rs)	1.0 mm

PRODUCT DIMENSIONS	
Cage assembly reference	K81122T2
Bearing ring (inner ring) WS	WS81122
Bearing ring (outer ring) GS	GS81122
Rollers reference outer diameter (Ea)	138.8 mm
Rollers reference inner diameter (Eb)	115.0 mm
Mass	1.1 kg
Cage assembly mass	0.325 kg
Bearing ring (inner ring) WS mass	0.385 kg
Bearing ring (outer ring) GS mass	0.385 kg
Brand	NTN

PRODUCT PERFORMANCE	
Dynamic axial load rating (Ca)	165.0 kN
Static axial load rating (C0a)	605.0 kN
Limit axial load rating (Cua)	68.5 kN
Nlim (grease)	480.0 tr/min
Nlim (oil)	1900.0 tr/min
Min operating temperature (Tmin)	-20.0 °C
Max operating temperature (Tmax)	120.0 °C

ABUTMENT	
Min shoulder diameter IR (da min)	138.0 mm
Max OR shoulder diameter (Db max)	116.0 mm
Max shaft & housing fillet radius (ras max)	1.0 mm