

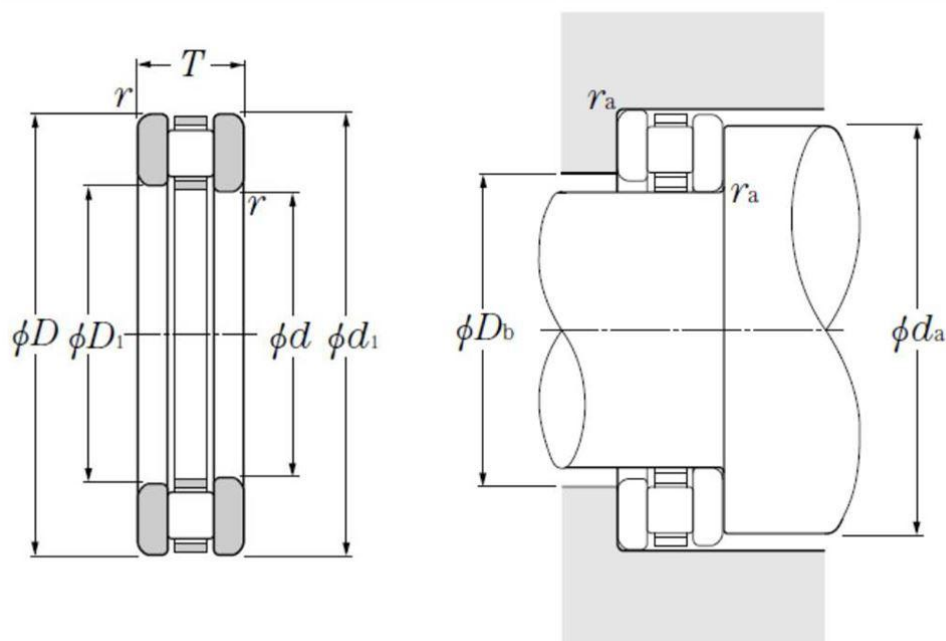
## Technical data

### 81102T2

Complete thrust bearing

Needle roller bearing, thrust cylindrical roller bearing, 811 series

#### VISUAL (S)



#### PRODUCT DIMENSIONS

<b>Bore diameter of support washer IR - WS (d)</b>	15.0 mm
<b>Outside diameter of support washer OR - GS (D)</b>	28.0 mm
<b>External diameter of support washer IR - WS (d1)</b>	28.0 mm
<b>Bore diameter bearing washer OR - GS (D1)</b>	16.0 mm
<b>Thrust bearing height (T)</b>	9.0 mm
<b>Roller cage bore diameter (Dc1)</b>	15.0 mm
<b>Roller cage outer diameter (Dc)</b>	28.0 mm
<b>Min fillet radius (rs)</b>	0.3 mm

## PRODUCT DIMENSIONS

<b>Cage assembly reference</b>	K81102T2
<b>Bearing ring (inner ring) WS</b>	WS81102
<b>Bearing ring (outer ring) GS</b>	GS81102
<b>Rollers reference outer diameter (Ea)</b>	25.0 mm
<b>Rollers reference inner diameter (Eb)</b>	17.2 mm
<b>Mass</b>	0.026 kg
<b>Cage assembly mass</b>	0.006 kg
<b>Bearing ring (inner ring) WS mass</b>	0.01 kg
<b>Bearing ring (outer ring) GS mass</b>	0.01 kg
<b>Brand</b>	NTN

## PRODUCT PERFORMANCE

<b>Dynamic axial load rating (Ca)</b>	12.2 kN
<b>Static axial load rating (C0a)</b>	26.8 kN
<b>Limit axial load rating (Cua)</b>	3.25 kN
<b>Nlim (grease)</b>	2800.0 tr/min
<b>Nlim (oil)</b>	11000.0 tr/min
<b>Min operating temperature (Tmin)</b>	-20.0 °C
<b>Max operating temperature (Tmax)</b>	120.0 °C
<b>Characteristic cage frequency, FTF</b>	0.5 Hz
<b>Characteristic rolling element frequency, BSF</b>	6.029 Hz
<b>Characteristic outer ring frequency, BPF0</b>	6.0 Hz
<b>Characteristic inner ring frequency, BPFI</b>	6.0 Hz

## ABUTMENT

# 81102T2

Complete thrust bearing

## ABUTMENT

<b>Min shoulder diameter IR (da min)</b>	25.0 mm
<b>Max OR shoulder diameter (Db max)</b>	18.0 mm
<b>Max shaft &amp; housing fillet radius (ras max)</b>	0.3 mm